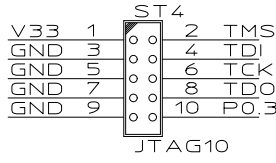
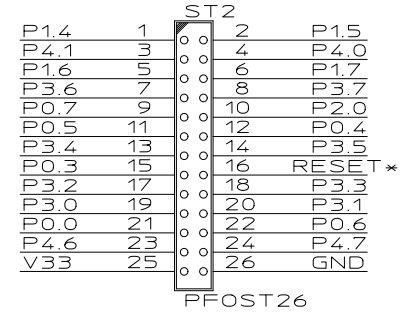
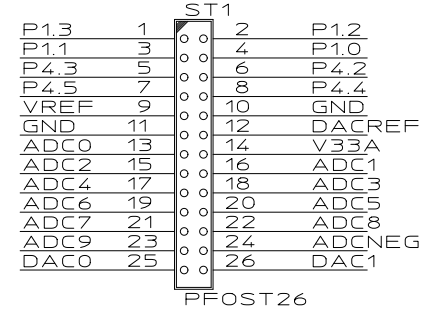
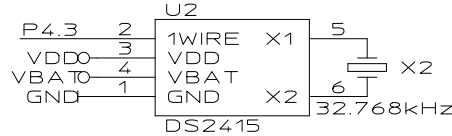


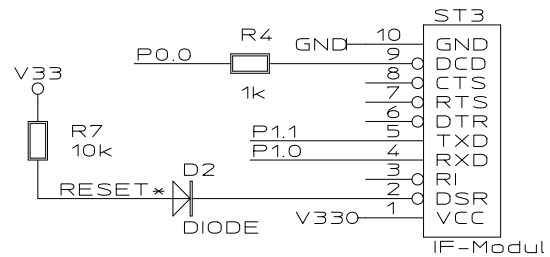
U3

ADC0	61	ADC0	GNDREF	7
ADC1	62	ADC1	AGND	58
ADC2	63	ADC2/CMP0	AVDD	59
ADC3	64	ACD3/CMP1		
ADC4	1	ADC4	IOGND	19
ADC5	2	ADC5	IOVDD	20
ADC6	3	ADC6	IOGND	41
ADC7	4	ADC7	IOVDD	42
ADC8	5	ADC8		
ADC9	6	ADC9		
ADCNEG	8	ADCNEG		
P0.0	15	BM/P0.0/CMP		
VREF	55	VREF		
P4.6	13	P4.6		
P4.7	14	P4.7		
P4.0	43	P4.0		
P4.1	44	P4.1		
P4.2	51	P4.2		
P4.3	52	P4.3		
P4.4	53	P4.4		
P4.5	54	P4.5		
P1.0	50	P1.0/SPM0		
P1.1	49	P1.1/SPM1		
P1.2	48	P1.2/SPM2		
P1.3	47	P1.3/SPM3		
P1.4	46	P1.4/SPM4		
P1.5	45	P1.5/SPM5		
P1.6	40	P1.6/SPM6		
P1.7	39	P1.7/SPM7		
P0.7	34	P0.7/SPM8		
P2.0	33	P2.0/SPM9		
TMS	11	TMS		
TDI	12	TDI		
TDO	18	TDO		
TCK	17	TCK/XCLK		
P0.3	27	P0.3/TRST/ADCB		
P0.6	16	P0.6/MRST		

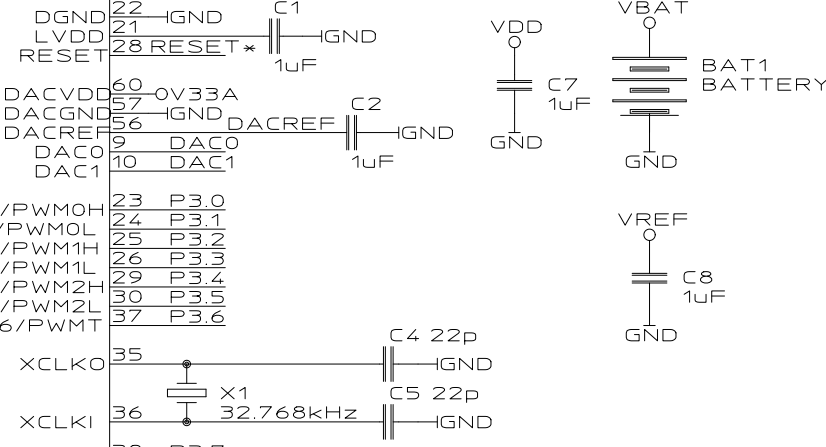
ADUC7024



P0.3 = TRST



P0.0 Boot-Mode
C8 soldered ST1: pin9 to pin10



Attention! Power supply 3.3Volt.

